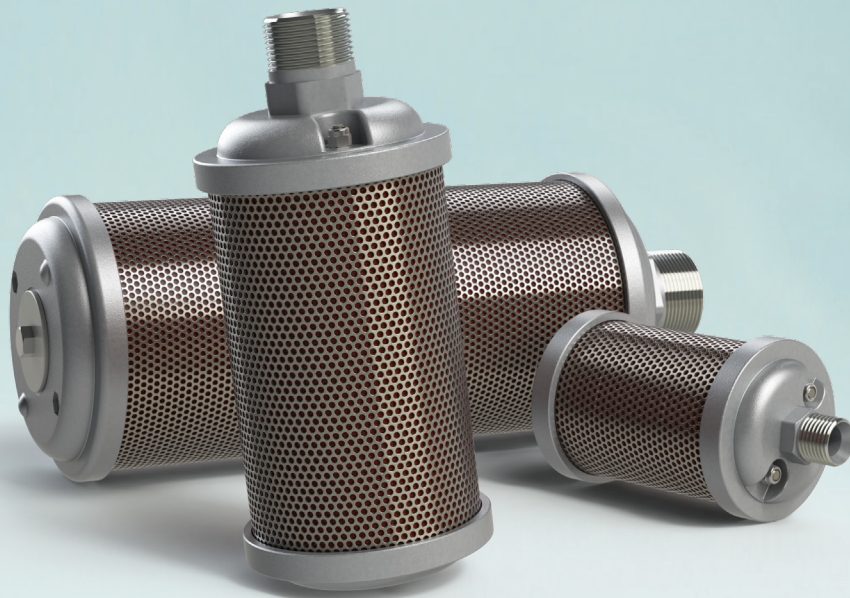




**GLOBE**<sup>®</sup> AIRMOTORS B.V.

## **GLOBE High Flow Silencers**



Pneumatic air silencers, which can also be known as pneumatic mufflers, are a simple and cost-effective solution to reduce noise levels and unwanted discharge of contaminants. Silencers are an important part of all our air motors. They are not only there for noise damping, but also to ensure that the power of our air motors is maintained. Because of this we offer a broad range of silencers.

[www.globe-airmotors.com](http://www.globe-airmotors.com)

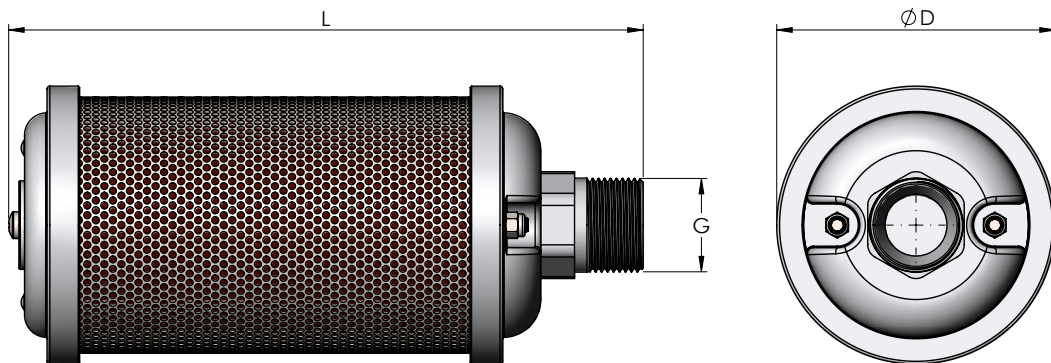
## General information & Dimensions

A pneumatic silencer is used to vent compressed air into the atmosphere. Depending on the flow and pressure of the air exiting the exhaust port of the air motor, it may produce noise that can be harmful to surrounding workers and/or cause noise problems in the application. In addition to noise, the exhaust air can also emit contaminants during operation. Filter elements in these silencers can prevent harmful contaminants from entering the environment.

GLOBE High Flow Silencers can safely diminish loud pressurized exhaust gases to create a healthy environment. With air streams colliding head-on with each other, velocity is reduced and the exhaust air is gently dispersed throughout the disseminator surface area. This technique reduces noise without sacrificing machine performance. Our High Flow Silencers are built with a corrosion resistant core, can be used in all climatic conditions and delivers a downtime free performance.

The High Flow Silencer and reduce excessive noise by dividing the air stream and turning it back on itself. As air exhaust enters the our silencers at high velocity, the High Flow Silencers redirect it into smaller air streams that rebound off opposing walls of the inside chamber.

### Dimensions

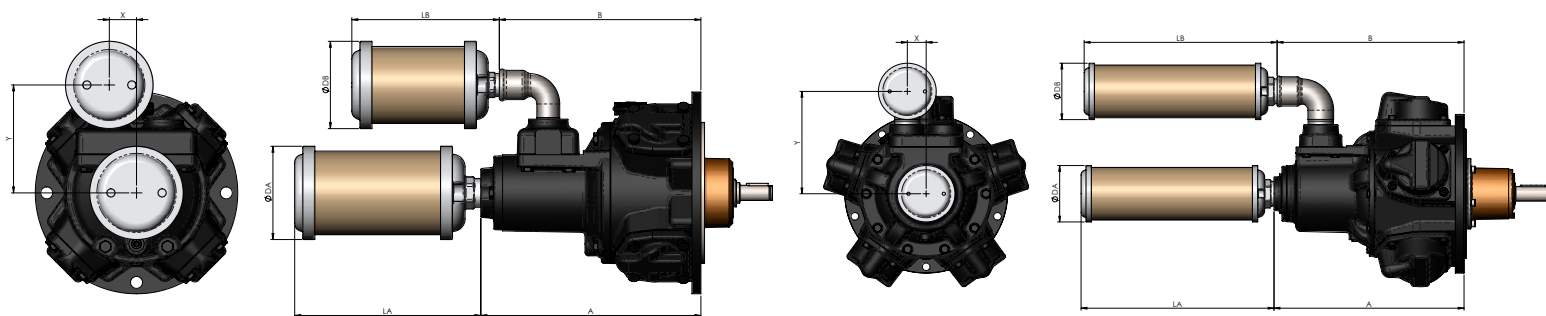


Main Dimensions in mm.

Part No.	G	L	D
820-104	1/2"	153	80
820-105	3/4"	184	86
820-106	1"	227	99
820-107	1 1/4"	230	99
820-108	1 1/2"	356	133
820-109	2"	484	133

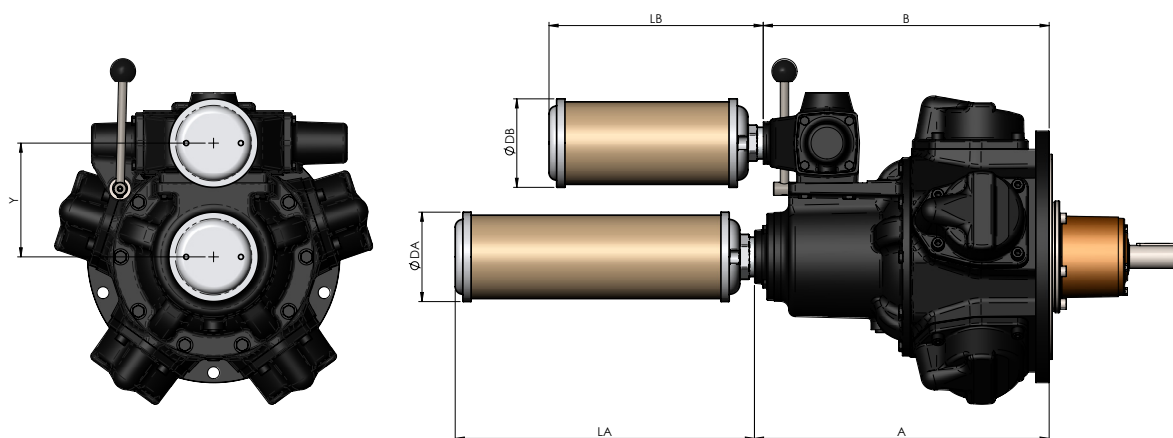
The silencers **are executed** with non-return valve to prevent water entering the motor through the silencer when the motor is not running.

# Combinations



**Dimensions: Piston Air Motor with High Flow Silencers**

Air Motor Type	A	B	X	Y	LA	LB	DA	DB
RM110	204	168	25	95	170	142	86	80
RM210	230	209	25	108	210	170	99	86
RM310	285	262	35	129	208	210	99	99
RM410	341	313	40	152	208	208	99	99
RM510	388	350	40	155	331	331	133	133
RM610	444	393	44	210	454	454	133	133



**Dimensions: Piston Air Motor with Valve & High Flow Silencers**

Air Motor Type	A	B	Y	LA	LB	DA	DB
RM110	204	202	58	170	142	86	80
RM210	230	237	81	210	170	99	86
RM310	285	295	104	208	210	99	99
RM410	341	330	114	208	208	99	99
RM510	388	396	126	331	331	133	133
RM610	444	431	172	454	331	133	133

## Buying options

### High Flow Silencer

If you want to replace your old (GLOBE) silencer, or just need a single silencer altogether, you can purchase our silencers separately. Please check what size is most suitable for your application.

If you need multiple silencers for your air motor, please check our High Flow Silencer Kits below, they contain the correct silencers for your type GLOBE air motor, and everything you need to connect them. All our High Flow Silencer Kits are suitable for Piston Air Motors with or without control valve, please mind the difference in valve sizes for RM610 air motors with valve when you order separate silencers.

Size	Part No.	Description
1/2"	820-104	GLOBE 1/2" HIGH FLOW SILENCER W/ PRESSURE VALVE
3/4"	820-105	GLOBE 3/4" HIGH FLOW SILENCER W/ PRESSURE VALVE
1"	820-106	GLOBE 1" HIGH FLOW SILENCER W/ PRESSURE VALVE
1 1/4"	820-107	GLOBE 1 1/4" HIGH FLOW SILENCER W/ PRESSURE VALVE
1 1/2"	820-108	GLOBE 1 1/2" HIGH FLOW SILENCER W/ PRESSURE VALVE
2"	820-109	GLOBE 2" HIGH FLOW SILENCER W/ PRESSURE VALVE

### High Flow Silencer Kit

Don't want to worry if you have everything you need to correctly install your silencer? Buy a complete silencer kit! The kits are selected for our RM Piston Air Motors and contain everything you need for your specific GLOBE Piston Air Motor. It includes **2 correct sized silencers** (one for the main port and one for the secondary port) and **a 90 degree elbow fitting**.

All our High Flow Silencer Kits are suitable for Piston Air Motors with or without control valve, except the RM610 Silencer kit. We supply a separate kit for RM610 Piston Motors with Control Valve.

Order No.		Description	Suitable for
119-905	1/2" + 3/4"	RM110 HIGH FLOW SILENCER KIT	RM110 with or without valve
219-905	3/4" + 1"	RM210 HIGH FLOW SILENCER KIT	RM210 with or without valve
319-905	1" + 1 1/4"	RM310 HIGH FLOW SILENCER KIT	RM310 with or without valve
419-905	1 1/4" + 1 1/4"	RM410 HIGH FLOW SILENCER KIT	RM410 with or without valve
519-905	1 1/2" + 1 1/2"	RM510 HIGH FLOW SILENCER KIT	RM510 with or without valve
619-905	2" + 2"	RM610 HIGH FLOW SILENCER KIT (No valve)	RM610 with no control valve
619-907	2" + 1 1/2"	RM610 + Valve HIGH FLOW SILENCER KIT	RM610 with control valve



# GLOBE<sup>®</sup> AIRMOTORS B.V.

GLOBE Airmotors | Boerhaaveweg 9-11 | NL - 2408 AD Alphen a/d Rijn | Tel +31 172 426 608 | info@globe-benelux.nl

## Take a look at our other products

Wide range of products available



**Gearboxes**



**Pneumatic Brakes**



**Control Valves**





**FRL Units**


This document, as well as the CAD data of the vane air motors are available for download on [globe-airmotors.com](http://globe-airmotors.com).

## Want to know more?

Please contact us.

 +31 172 426 608

 [info@globe-benelux.nl](mailto:info@globe-benelux.nl)

 [/company/globe-airmotorsentestequipment/](https://www.linkedin.com/company/globe-airmotorsentestequipment/)

[www.globe-airmotors.com](http://www.globe-airmotors.com)