

RM410 VALVE OPTIONS

This range of bolt on valves offers very sensitive speed and directional control. One frictionless matched spool and sleeve assembly is offered with two alternative means of actuation.

CONFIGURATION

As standard these valves can be supplied with either EQUAL POWER or BIASED POWER spools, the latter is suitable for hoisting applications (normal power for lifting - reduced power for lowering).

The direction of reduced power must be stated when ordering CW or CCW, when viewed on the output shaft of the motor or geared motor.

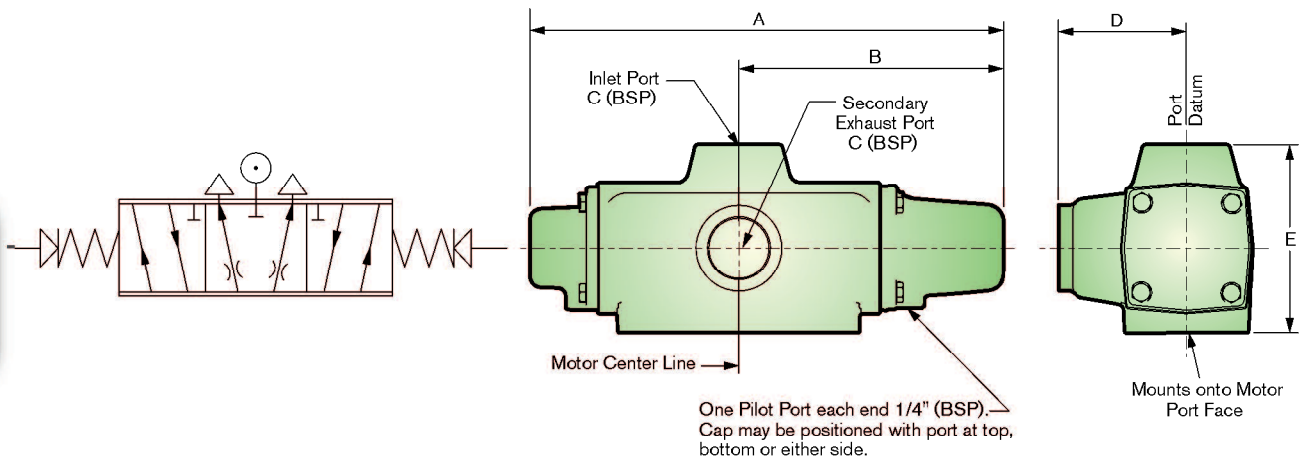
1. Remotely Controlled (RCV) - This option is usually controlled from a remote position by one of the PC series or LC2 units. A variable air pilot signal is

applied to either end of the valve spool, depending on the required direction of motor rotation. The pilot pressure range is between 1.4 bar / 20 psi and 4.8 bar / 70 psi, increased pilot pressure give increased speed. The valve is spring centered to neutral.

2. Hand Controlled (HCV) - The control valve spool is operated directly by a lever mechanism. Speed increase is obtained as the lever is moved in either direction from the center (neutral) position.

Pressure Drop - Minimal pressure drop will be experienced through the valves, having the effect of maintaining the output torque while reducing the motor output speed by approximately 10-15% at 6 bar / 90 psi at maximum power. The starting torque remains unaffected.

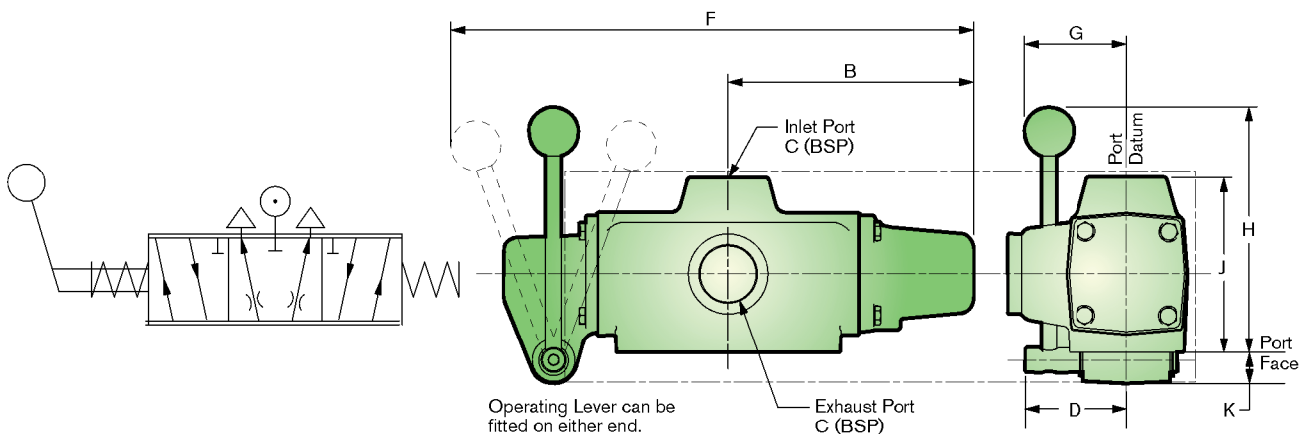
REMOTE CONTROL VALVE - 1-1/4 BSP PORT



Modified threads and other valve options are available upon request. Please contact SPX Hydraulic Technologies.

A	B	C (BSP)	D	E	Approx. WT.
279.4	160.0	1-1/4	71.1	114.3	8.2 kg
11.0"	6.3"		2.8"	4.5"	18.13 lbs.

HAND CONTROL VALVE - 1-1/4 BSP PORT

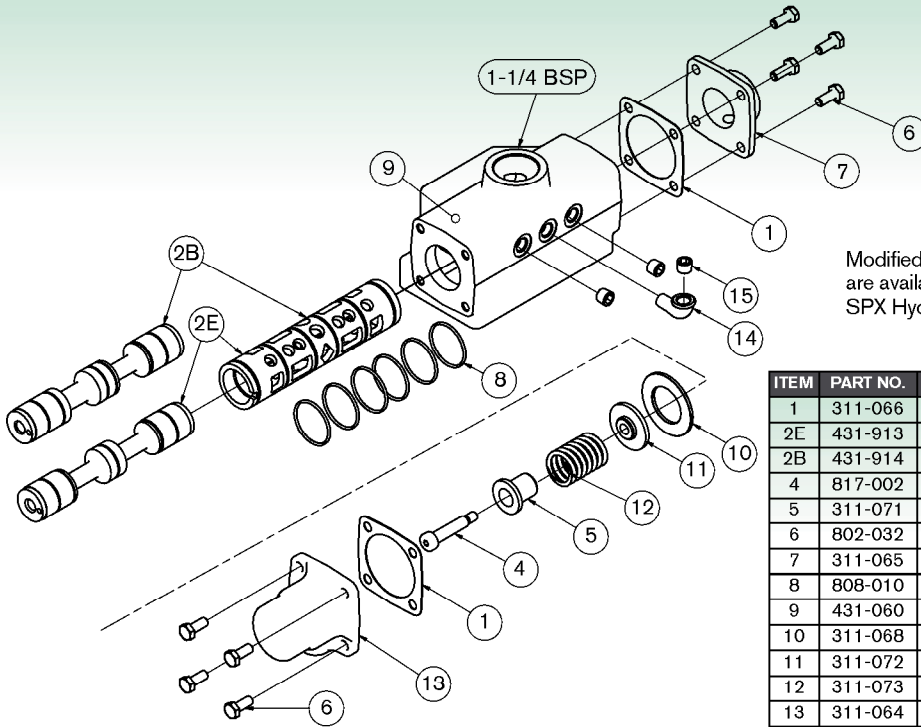


Modified threads and other valve options are available upon request. Please contact SPX Hydraulic Technologies.

B	C (BSP)	D	F	G	H	J	K	Approx. WT.
160.0	1-1/4	71.1	365.7	76.2	198.1	111.7	22.6	8.2 kg
6.3"		2.8"	14.4"	3.0"	7.8"	4.4"	0.89"	18.13 lbs.

RM410 VALVE OPTIONS SPARE PARTS LISTS

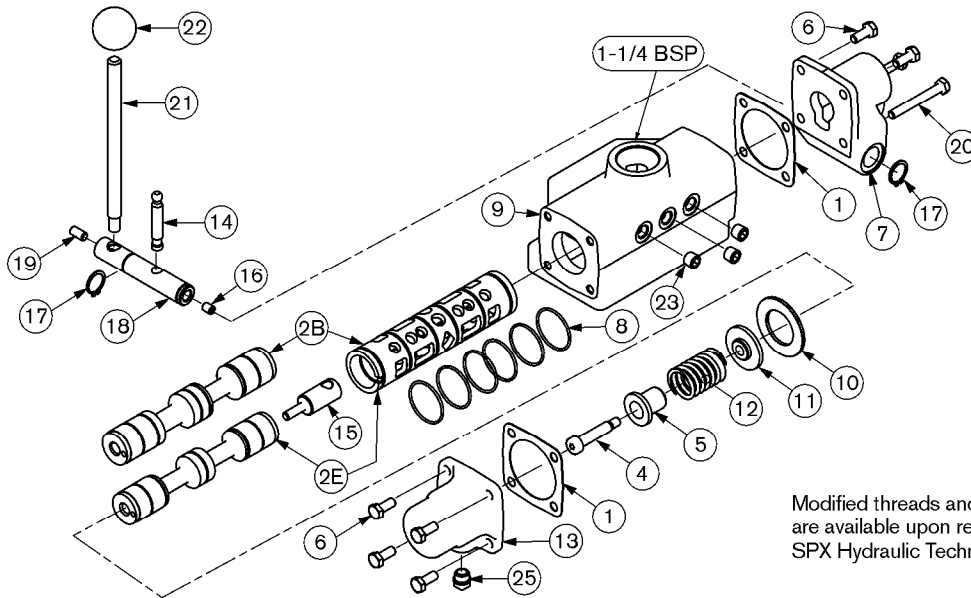
REMOTE CONTROL VALVE - 1-1/4 BSP PORT



Modified threads and other valve options are available upon request. Please contact SPX Hydraulic Technologies.

ITEM	PART NO.	DESCRIPTION	QTY.
1	311-066	End Cap Gasket	2
2E	431-913	Matched Spool and Sleeve (Equipower)	1
2B	431-914	Matched Spool and Sleeve (Biased)	1
4	817-002	Shoulder Screw 10mm	1
5	311-071	Centering Shaft Guide	1
6	802-032	Hex Head Screw M8 x 20	8
7	311-065	End Cap - Plain End	1
8	808-010	O-Ring 1-9/16" x 1-11/16"	6
9	431-060	Valve Body	1
10	311-068	Valve Sleeve Spacer	1
11	311-072	Washer, Spring Centering	1
12	311-073	Spring, Control Spool	1
13	311-064	End Cap - Spring End	1
14	816-048	Elbow M/F 1/4" BSPT	1
15	816-074	Plug 1/4" BSPT	3

HAND CONTROL VALVE - 1-1/4 BSP PORT



Modified threads and other valve options are available upon request. Please contact SPX Hydraulic Technologies.

ITEM	PART NO.	DESCRIPTION	QTY.
1	311-066	End Cap Gasket	2
2E	431-913	Matched Spool and Sleeve (Equipower)	1
2B	431-914	Matched Spool and Sleeve (Biased)	1
4	817-002	Shoulder Screw 10mm	1
5	311-071	Centering Shaft Guide	1
6	802-032	Hex Head Screw M8 x 20	6
7	313-041	Hand Lever Cap	1
8	808-010	O-Ring 1-9/16" x 1-11/16"	6
9	431-060	Valve Body	1
10	311-068	Valve Sleeve Spacer	1
11	311-072	Washer, Spring Centering	1
12	814-015	Spring 343720	1

ITEM	PART NO.	DESCRIPTION	QTY.
13	311-064	End Cap - Spring End	1
14	313-026	Toggle Pin	1
15	313-024	Toggle Shaft	1
16	815-010	Grub Screw M8 x 10	1
17	804-013	Circlip 20mm External	2
18	313-008	Hand Lever Pivot	1
19	815-002	Grub Screw M8 x 16	1
20	802-045	Hex Bolt M8 x 60	2
21	313-002	Hand Lever	1
22	818-002	Black Plastic Knob 1-1/2"	1
23	816-074	Plug 1/4" BSPT Sq. Head	3
25	113-050	Vent Plug	1

