

# RM210 VALVE OPTIONS

This range of bolt on valves offers very sensitive speed and directional control. One frictionless matched spool and sleeve assembly is offered with two alternative means of actuation.

## CONFIGURATION

As standard these valves can be supplied with either EQUAL POWER or BIASED POWER spools, the latter is suitable for hoisting applications (normal power for lifting - reduced power for lowering).

The direction of reduced power must be stated when ordering CW or CCW, when viewed on the output shaft of the motor or geared motor.

**1. Remotely Controlled (RCV) -** This option is usually controlled from a remote position by one of the PC series or LC2 units. A variable air pilot signal is

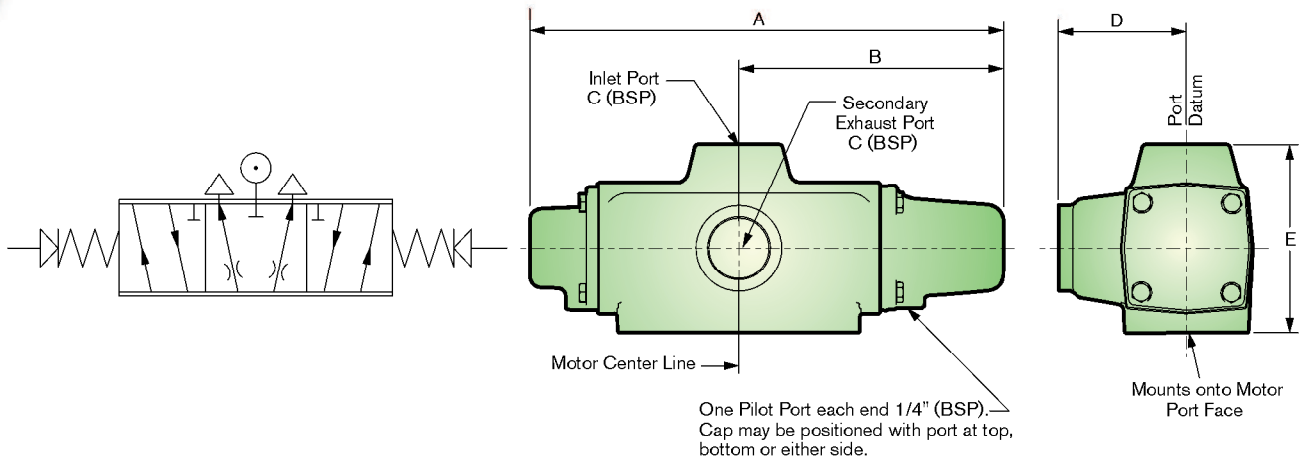
applied to either end of the valve spool, depending on the required direction of motor rotation. The pilot pressure range is between 1.4 bar / 20 psi and 4.8 bar / 70 psi, increased pilot pressure give increased speed. The valve is spring centered to neutral.

**2. Hand Controlled (HCV) -** The control valve spool is operated directly by a lever mechanism. Speed increase is obtained as the lever is moved in either direction from the center (neutral) position.

**Pressure Drop -** Minimal pressure drop will be experienced through the valves, having the effect of maintaining the output torque while reducing the motor output speed by approximately 10-15% at 6 bar / 90 psi at maximum power. The starting torque remains unaffected.



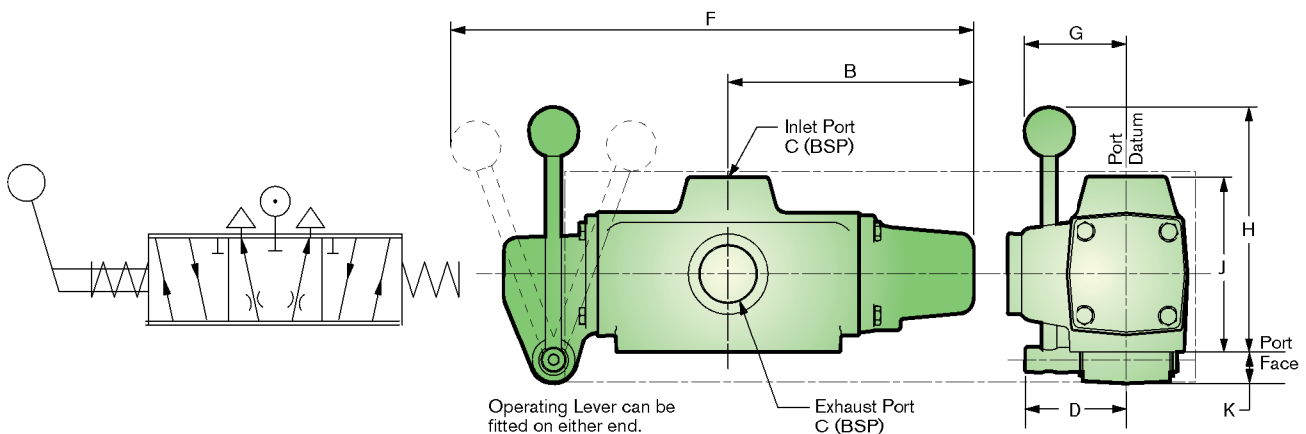
## REMOTE CONTROL VALVE - 3/4 BSP PORTS



Modified threads and other valve options are available upon request. Please contact SPX Hydraulic Technologies.

A	B	C (BSP)	D	E	Approx. WT.
210.8	118.1	19.0	60.9	83.8	3.8 kg
8.3"	4.65"	3/4	2.4"	3.3"	8.5 lbs.

## HAND CONTROL VALVE - 3/4 BSP PORTS

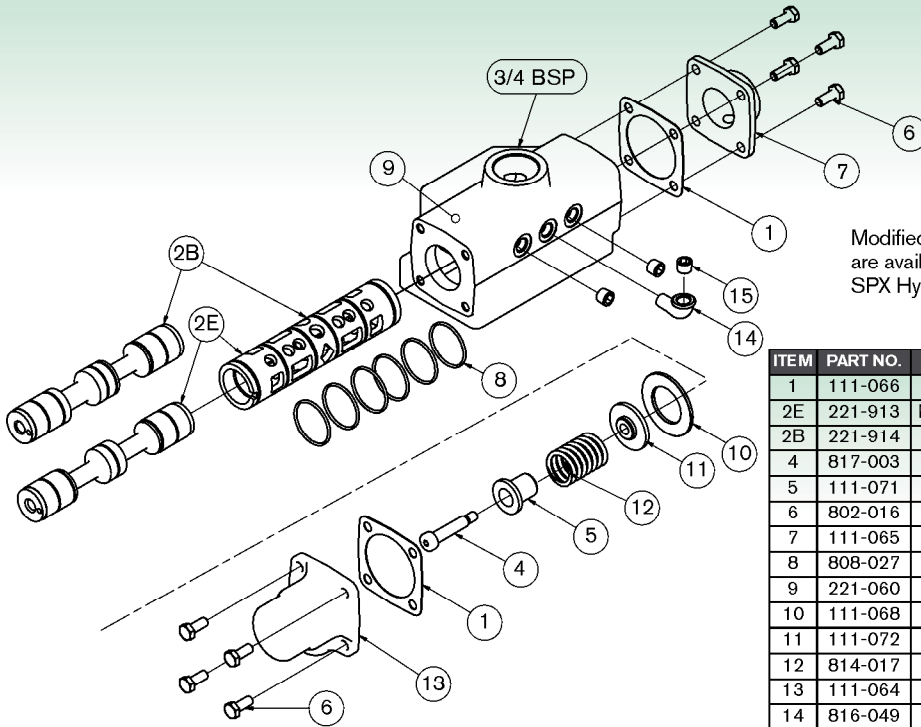


Modified threads and other valve options are available upon request. Please contact SPX Hydraulic Technologies.

B	C (BSP)	D	F	G	H	J	K	Approx. WT.
118.1	19.0	60.9	269.2	60.9	162.5	83.8	21.0	3.8 kg
4.65"	3/4	2.4"	10.6"	2.4"	6.4"	3.3"	0.83"	8.5 lbs.

# RM210 VALVE OPTIONS SPARE PARTS LISTS

## REMOTE CONTROL VALVE - 3/4 BSP PORTS

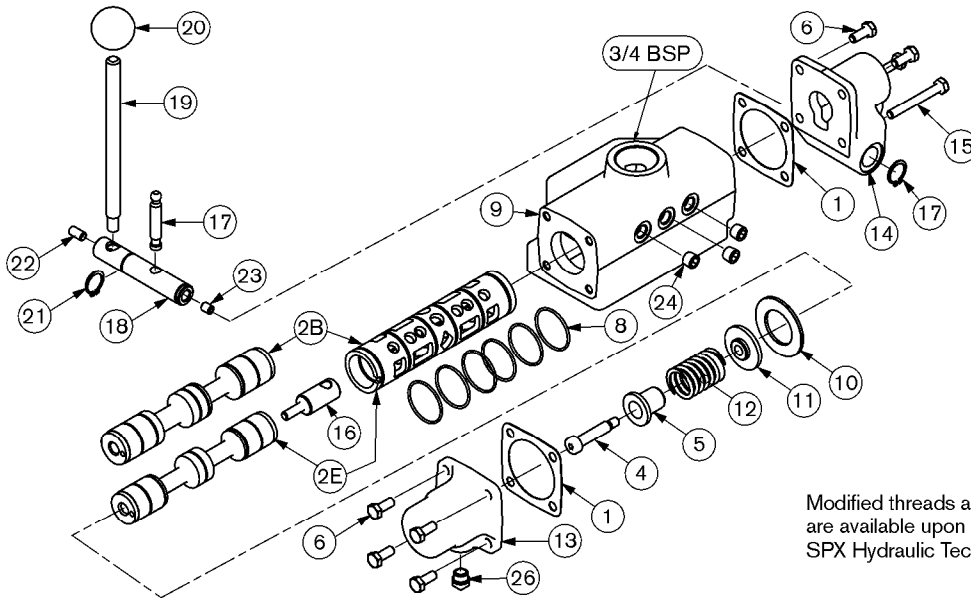


Modified threads and other valve options are available upon request. Please contact SPX Hydraulic Technologies.

ITEM	PART NO.	DESCRIPTION	QTY.
1	111-066	End Cap Gasket	2
2E	221-913	Matched Spool and Sleeve (Equipower)	1
2B	221-914	Matched Spool and Sleeve (Biased)	1
4	817-003	Shoulder Screw 8mm	1
5	111-071	Centering Shaft Guide	1
6	802-016	Hex Head Screw M6 x 16	8
7	111-065	End Cap - Plain End	1
8	808-027	O-Ring 27, 5 x 30	6
9	221-060	Valve Body	1
10	111-068	Valve Sleeve Spacer	1
11	111-072	Washer, Spring Centering	1
12	814-017	Spring D13040	1
13	111-064	End Cap - Spring End	1
14	816-049	Elbow M/F 1/8" BSPT	1
15	816-063	Plug 1/8" BSPT	3



## HAND CONTROL VALVE - 3/4 BSP PORTS



Modified threads and other valve options are available upon request. Please contact SPX Hydraulic Technologies.

ITEM	PART NO.	DESCRIPTION	QTY.
1	111-066	End Cap Gasket	2
2E	221-913	Matched Spool and Sleeve (Equipower)	1
2B	221-914	Matched Spool and Sleeve (Biased)	1
4	817-003	Shoulder Screw 8mm	1
5	111-071	Centering Shaft Guide	1
6	802-016	Hex Head Screw M6 x 16	6
8	808-027	O-Ring 27, 5 x 30	6
9	221-060	Valve Body	1
10	111-068	Valve Sleeve Spacer	1
11	111-072	Washer, Spring Centering	1
12	814-016	Spring 323714	1
13	111-064	End Cap - Spring End	1

ITEM	PART NO.	DESCRIPTION	QTY.
14	113-041	Hand Lever Cap	1
15	802-024	Hex Head Bolt M6 x 50	2
16	113-024	Toggle Shaft	1
17	113-026	Toggle Pin	1
18	113-008	Hand Lever Pivot	1
19	313-002	Hand Lever	1
20	818-002	Black Plastic Knob 31mm	1
21	804-013	Circlip 20mm External	2
22	515-010	Grub Screw M8 x 10	1
23	815-002	Grub Screw M8 x 16	1
24	816-063	Plug 1/8" BSPT	3
26	113-050	Vent Plug	1