

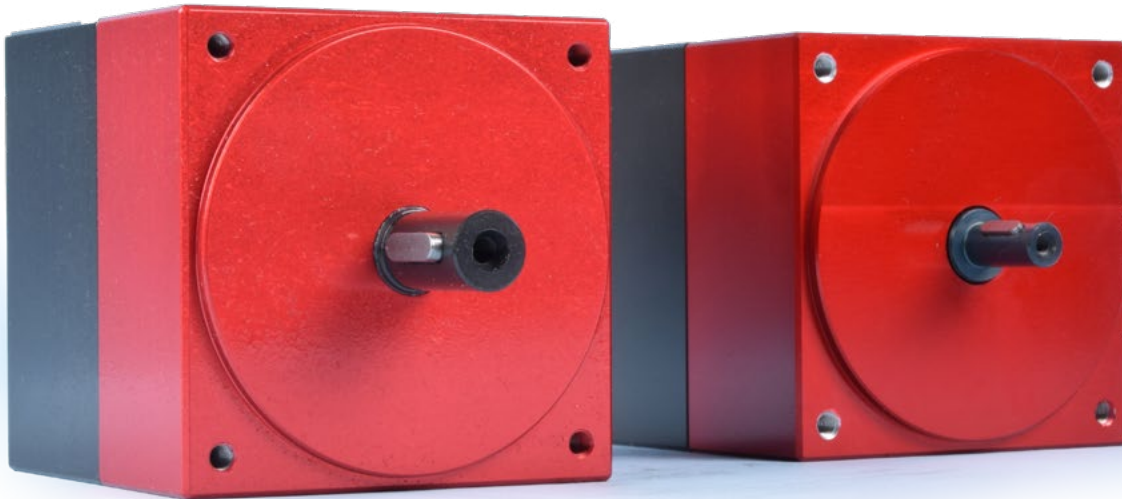


**GLOBE** AIRMOTORS B.V.

GLOBE Airmotors | Boerhaaveweg 9-11 | NL - 2408 AD Alphen a/d Rijn | Tel +31 172 426 608 | info@globe-benelux.nl


## Specifications: RM004

Compact Piston Air motor - 3.4 Nm - / 2.4 lbs ft.



### Contents

Performance	2
Dimensions & Load diagram CW & CW	3
Dimensions & Load diagram Reversible	3
Selection Code Compact piston air motor	4

CE  II 2G Ex h IIC T5 Gb  
II 2D Ex h IIICT100°C Db  
T<sub>a</sub> = -10° + 60°C

# RM004

Compact Piston Air Motors - 3.4Nm/2.5lbs.ft.

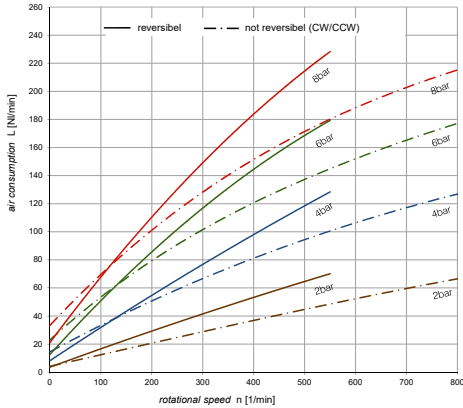
The GLOBE RM004 is the smallest in the series. Like all our compact piston air motors, the RM004 also has a low speed and high torque without the use of a gearbox. They are extremely efficient, give high performance and are up to 90% more efficient than other air motors. Unlike our other compact piston motors, the GLOBE RM004 has a hard anodized aluminum housing with plastic wheels on the 7 pistons. It has a double bearing on the output shaft and is therefore suitable for direct drive applications. This makes the air motor even lighter without losing its power and efficiency.

- » High starting torque
- » Starting torque 3,4 Nm / 30 inch lbs.
- » ATEX certified
- » Oil free (optional)
- » Silicone free
- » Easy to control
- » Very low air consumption
- » Easy to control

## RM004 - Specifications

Type	Torque		Rotation speed (reversible)	Rotation speed (CW & CCW)	Weight (reversible)		Weight CW & CCW		IP	Flange	ATEX
	Nm	lbf.ft	rpm	rpm	kg	lbs	kg	lbs			
RM004-SXA	2.7	2.0	60 – 550	100 – 800	2.2	4.8	2.1	4.6	54	No	Yes
RM004-IXA	2.7	2.0	60 – 550	100 – 800	4.9	10.8	4.6	10.1	54	No	Yes

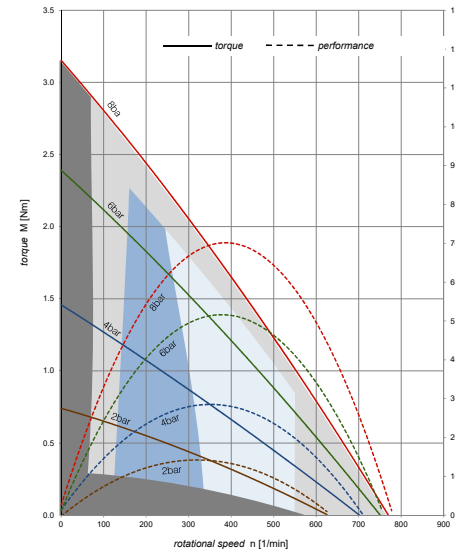
## Air consumption RM004



- » Max. power: 0,07 kW / 0.09 H.P.
- » Torque at max. power: 1,7 Nm / 15 inch lbs.
- » Starting torque: 3,4 Nm / 30 inch lbs.
- » Speed of rotation: 100 - 800 rpm. CCW or CW
- » Weight: 2.1 - 4.6 kg.
- » Air consumption: 170 NI/min. / 6 CFM
- » Waterproof: 54 IP

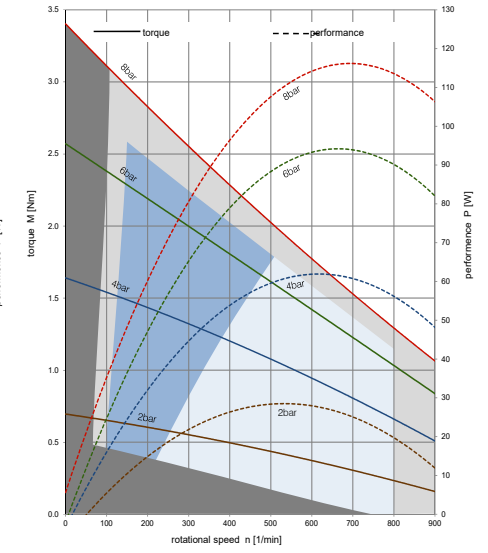


## Performance RM004 Reversible



- no continuous operation
- operation only after consulting supplier
- regulation with throttle
- regulation with pressure reduction

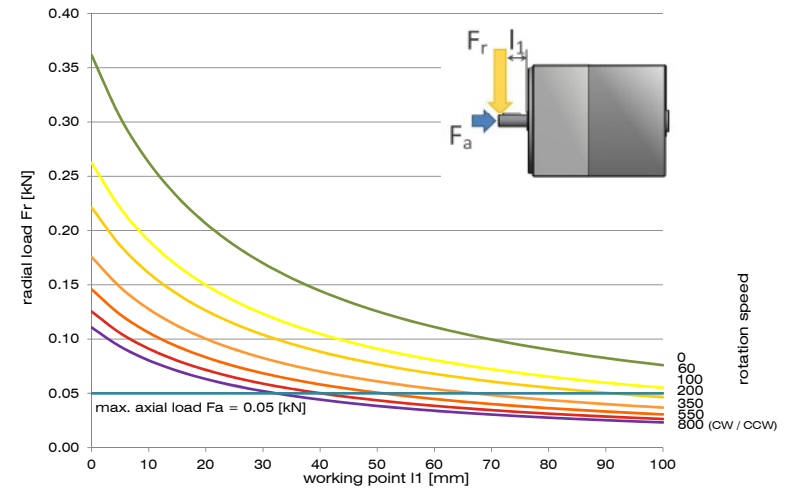
## Performance RM004 Clockwise [CW] & Counter clockwise [CCW]



- no continuous operation
- operation only after consulting supplier
- regulation with throttle
- regulation with pressure reduction

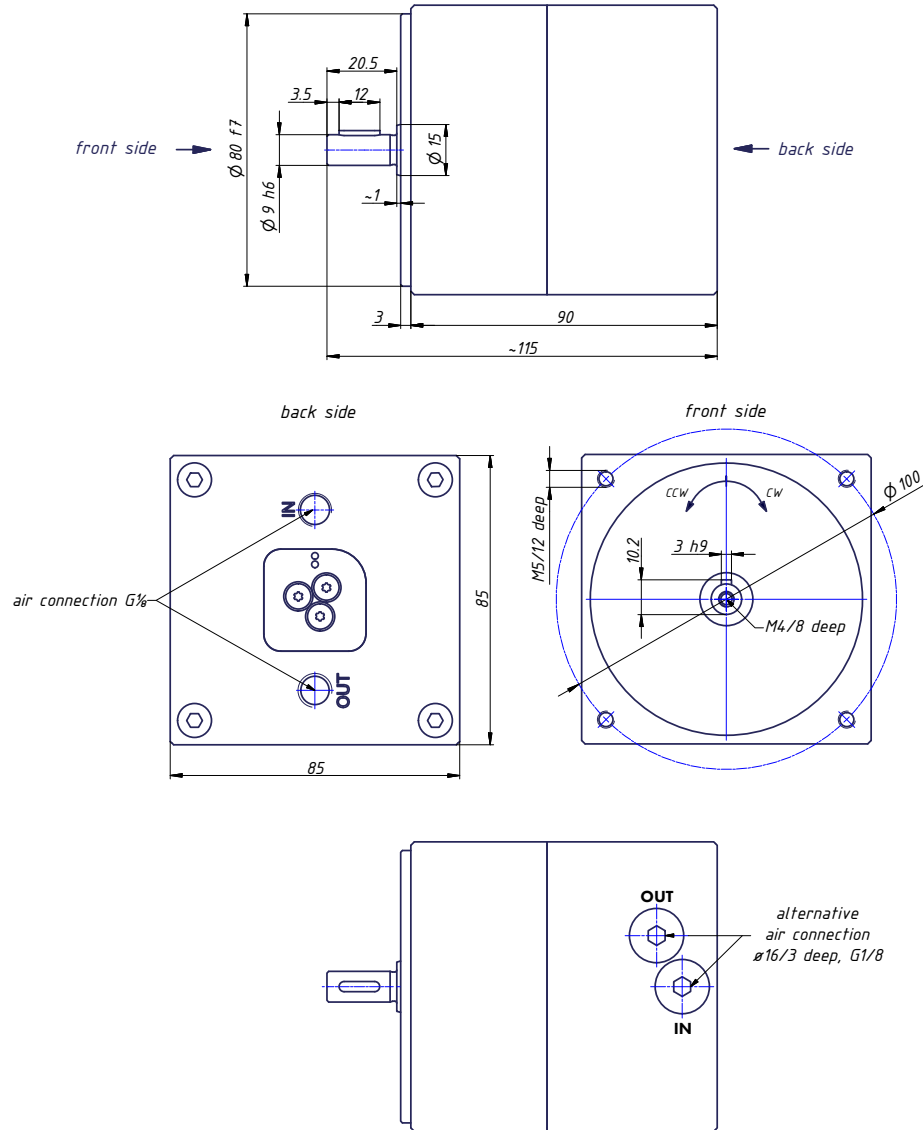
## Load diagram RM004 | ATEX | SXA | IXA

Nickel plated steel housing & Inox housing | no flange | ATEX



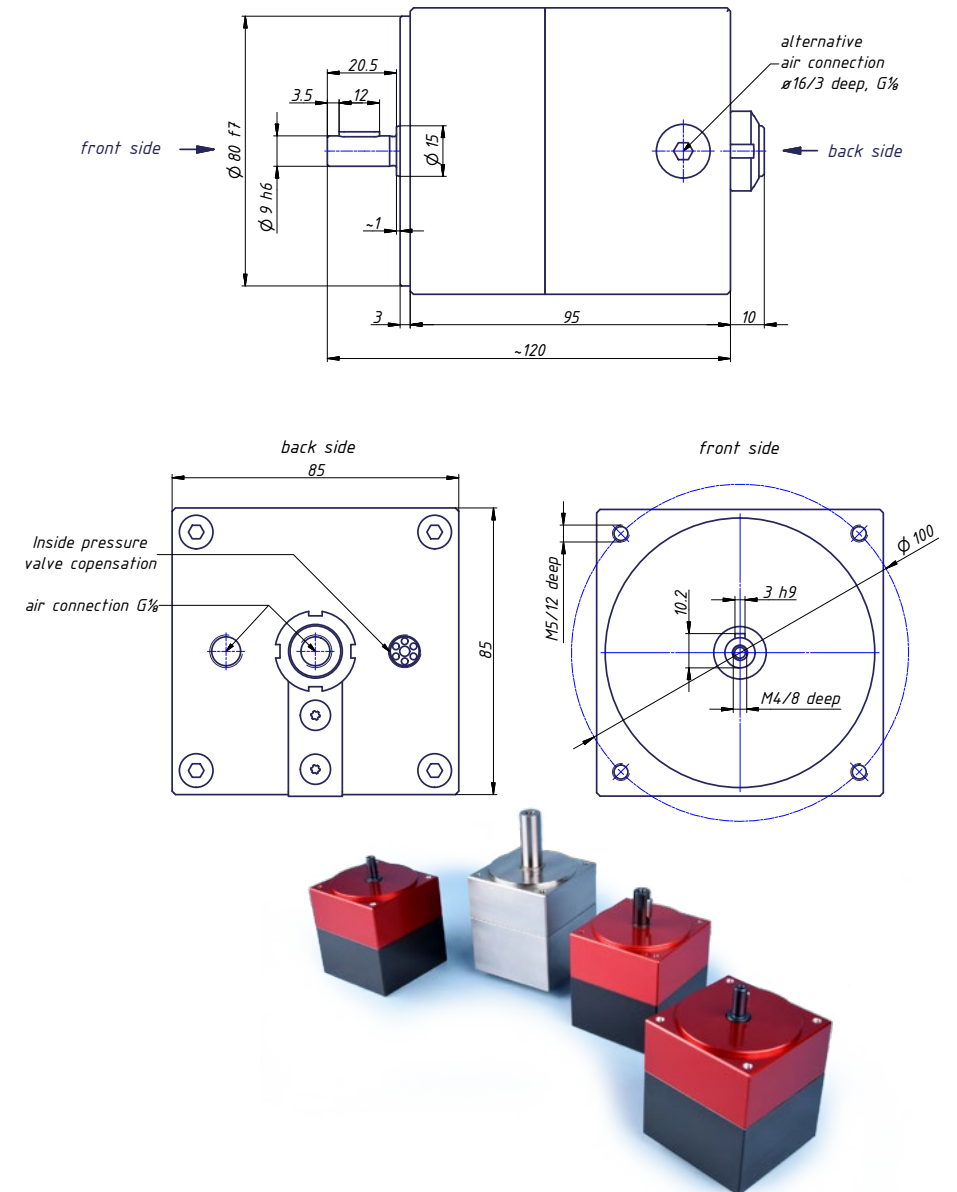
**Dimensions RM004 | CW & CCW | SXA & IXA**

Nickel plated steel housing & Inox housing | Clockwise & Counter clockwise



**Dimensions RM004 | Reversible | SXA & IXA**

Nickel plated steel housing & Inox housing | ATEX

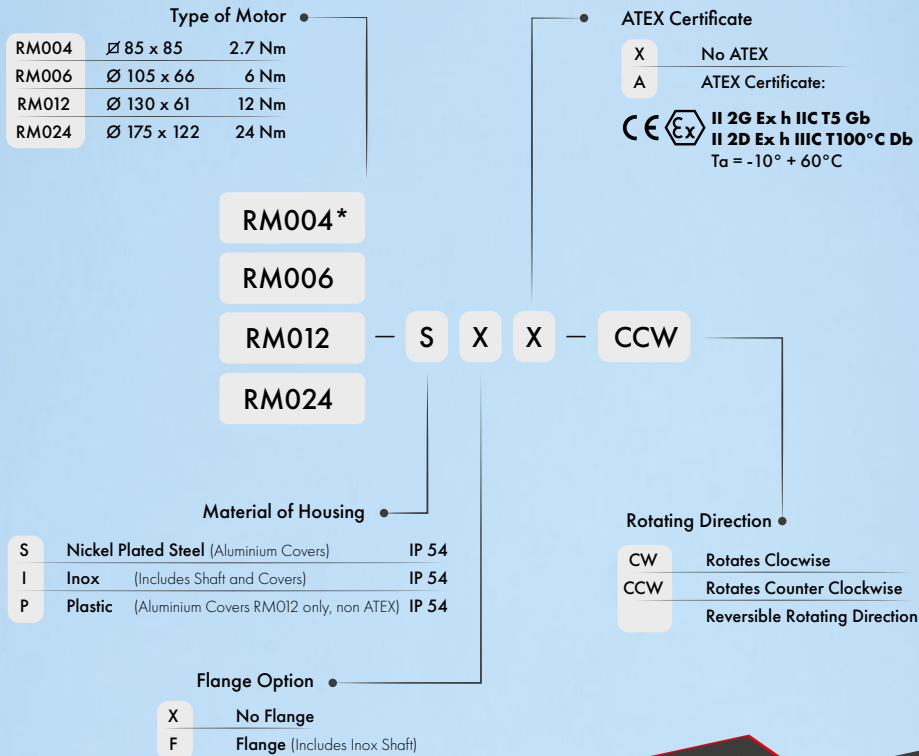


## Specifications

Type	Torque		Rotation speed (reversible)	Rotation speed (CW & CCW)	Weight (reversible)		Weight CW & CCW		IP	Flange	ATEX	Page
	Nm	lbf.ft	rpm	rpm	kg	lbs	kg	lbs	IP			nr
RM004-SXA	2.7	2.0	60 – 550	100 – 800	2.2	4.8	2.1	4.6	54	No	Yes	12 - 13
RM004-IXA	2.7	2.0	60 – 550	100 – 800	4.9	10.8	4.6	10.1	54	No	Yes	12 - 13
RM006-SXA	6	4.4	50 – 650	-	2.8	6.2	-	-	54	No	Yes	16
RM006-SXX	6	4.4	50 – 650	-	2.8	6.2	-	-	54	No	No	16
RM006-SFA	6	4.4	50 – 650	-	3.1	6.8	-	-	54	Yes	Yes	17
RM006-SFX	6	4.4	50 – 650	-	3.1	6.8	-	-	54	No	No	17
RM012-SXA	12	8.9	50 – 350	50 – 450	3.8	8.3	3.8	8.3	54	No	Yes	20
RM012-SXX	12	8.9	50 – 350	50 – 450	3.8	8.3	3.8	8.3	50	No	No	20
RM012-SFA	12	8.9	50 – 350	50 – 450	4.6	10.1	4.6	10.1	54	Yes	Yes	21
RM012-SFX	12	8.9	50 – 350	50 – 450	4.6	10.1	4.6	10.1	50	Yes	No	21
RM012-IXA	12	8.9	50 – 350	50 – 450	4.9	10.8	4.9	10.8	54	No	Yes	20
RM012-IXX	12	8.9	50 – 350	50 – 450	4.9	10.8	4.9	10.8	64	No	No	20
RM012-IFA	12	8.9	50 – 350	50 – 450	6.5	14.3	6.5	14.3	54	Yes	Yes	21
RM012-IFX	12	8.9	50 – 350	50 – 450	6.5	14.3	6.5	14.3	64	Yes	No	21
RM012-PXX	12	8.9	50 – 350	50 – 450	4.2	9.2	4.2	9.2	64	No	No	22
RM012-PFX	12	8.9	50 – 350	50 – 450	5.8	12.8	5.8	12.8	64	Yes	No	22
RM024-SXA	24	18	50 – 350	50 – 450	7.6	16.8	7.6	16.8	54	No	Yes	25
RM024-SXX	24	18	50 – 350	50 – 450	7.6	16.8	7.6	16.8	50	No	No	25
RM024-SFA	24	18	50 – 350	50 – 450	8.2	18	8.2	18	54	Yes	Yes	26
RM024-SFX	24	18	50 – 350	50 – 450	8.2	18	8.2	18	50	Yes	No	26
RM024-IXA	24	18	50 – 350	50 – 450	10.9	24	10.9	24	54	No	Yes	25
RM024-IXX	24	18	50 – 350	50 – 450	10.9	24	10.9	24	64	No	No	25
RM024-IFA	24	18	50 – 350	50 – 450	12	26.5	12	26.5	54	Yes	Yes	26
RM024-IFX	24	18	50 – 350	50 – 450	12	26.5	12	26.5	64	Yes	No	26

## Selection Code

Make your GLOBE compact piston air motor ordering code



\*Standard shaft diameter is ∅9 mm, optional available in ∅14 mm

Order your  
**COMPACT AIR MOTOR:**  
info@globe-benelux.nl

