



GLOBE TEST EQUIPMENT B.V.

Datasheet APU SC10-6 LP Air Driven Pressure Test Unit



Air Driven High Pressure Test Unit APU SC10-6 LP

The APU SC10-6 air driven high pressure systems are specially designed for test pressures up to 630 bar (9135 psi) at 7 bar (100 psi) air drive pressure. Commonly used when high pressure is used in a mobile situation. The main energy sources of the high pressure systems are air pressure and fluid.

The frame, valves and tubing used in the APU SC10-6 are made of stainless steel and are therefore of a very high quality. Because the system is designed and constructed to be maintenance friendly, the unit has a long lifetime. High pressure testing of many different types of fluids is no problem for our units.



Features

- Portable design, compact and less noise
- Reliable, long lifetime, maintenance friendly
- Hydraulic components and frame made of stainless steel
- A test pressure of 5 bar (72 psi) up to 630 bar (9135 psi). Test pressure of 2 bar (29 psi) up to 630 bar (9135 psi) possible with low pressure option
- Designed for water, oil, emulsion or other fluids
- Pressure hold without air consumption and auto start
- Min. air pressure needed for startup is approx. 1 bar (14,5 psi), low pressure option available allowing the pump to start up at approx. 0.4 bar (5,8 psi)
- Flow rate and outlet test pressure can be regulated easily and smooth through the air pressure regulator on the inlet
- Special wishes are optional such as a recorder, tank and extra special valves etc.

Suitable applications

- Static or burst testing of hoses, tubing and valves
- Testing of pressure vessels or hydro systems
- Use as an energy source for static or mobile test systems
- Impregnation systems
- Molding systems
- Hydraulic press systems
- Bolt cutter
- Tensioning systems or similar
- Hydrostatic testing – valves, tanks, pressure vessels, pressure switches, hoses, pipes and tubing, cylinders, gas bottles
- Burst and cycle fatigue testing
- Lifting and jacking – lifting tables, scissor jack lift, beam jacking and aircraft jacking
- Hydraulic operation – clamping devices
- Leak testing

Delivered with

- Filter, pressure regulator, oiler and gauge for the air inlet pressure
- Ball valve for pump on/off
- Outlet test pressure with a stainless steel gauge – glyc. filled
- Outlet test pressure with a stainless steel pressure release valve
- Outlet test pressure with a stainless steel manifold block



Technical Specifications

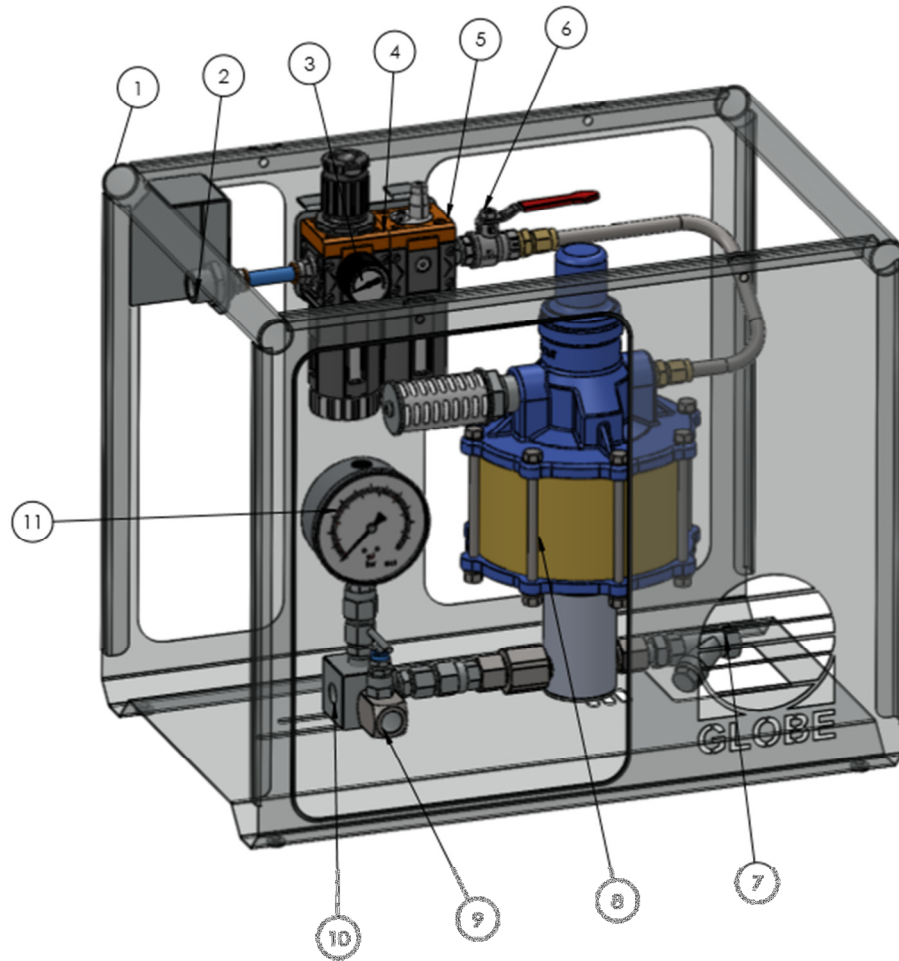
Type	Ratio	Max inlet air-pressure	Outlet test pressure	Cm3 / Stroke	Max. Liter/min. (free flow)
APU SC10-6-5	5:1	7 bar (100 psi)	35 bar (508 psi)	290	65
APU SC10-6-10	10:1	7 bar (100 psi)	70 bar (1015 psi)	146	35
APU SC10-6-20	20:1	7 bar (100 psi)	140 bar (2030 psi)	66	16
APU SC10-6-25	25:1	7 bar (100 psi)	175 bar (2538 psi)	55	13
APU SC10-6-35	35:1	7 bar (100 psi)	245 bar (3553 psi)	41	11
APU SC10-6-55	55:1	7 bar (100 psi)	385 bar (5583 psi)	25	6,25
APU SC10-6-95	95:1	7 bar (100 psi)	630 bar (9135 psi)	15	3,8

Dimensions in mm

Length	Width	Height	Weight kg
600	400	500	approx. 30

Type	Air inlet connection	Fluid inlet connection (System)	Outlet connection (System)
APU SC10-6-5	G1/2"	1" BSP F	1/2" NPT F
APU SC10-6-10	G1/2"	1" BSP F	1/2" NPT F
APU SC10-6-20	G1/2"	1" BSP F	1/2" NPT F
APU SC10-6-25	G1/2"	1" BSP F	1/2" NPT F
APU SC10-6-35	G1/2"	1" BSP F	1/2" NPT F
APU SC10-6-55	G1/2"	1/2" BSP F	1/2" NPT F
APU SC10-6-95	G1/2"	1/2" BSP F	1/2" NPT F

Technical specifications are subject to change if necessary



Parts/Construction

Item	Qty.	Description	Material
1	1	Frame 10 – 6 standard	Stainless steel
2	1	Air inlet connection G1/2"	Brass nickel-plated
3	1	Pressure gauge 0-10 bar (0-145 psi)	Brass nickel-plated
4	1	Filter/Reducer	Technopolymer and brass nickel-plated
5	1	Lubricator	Technopolymer and brass nickel-plated
6	1	Ball valve for pump on/off	Brass nickel-plated
7	1	Fluid inlet filter	Stainless steel
8	1	SC10-6 Test Pump	Alu/Br (stainless steel optional)
9	1	Pressure release valve 1/2" NPT F	Stainless steel
10	1	Pressure outlet connection 1/2" NPT F	Stainless steel
11	1	Pressure gauge Suitable for max. Pressure	Stainless steel